

A

B

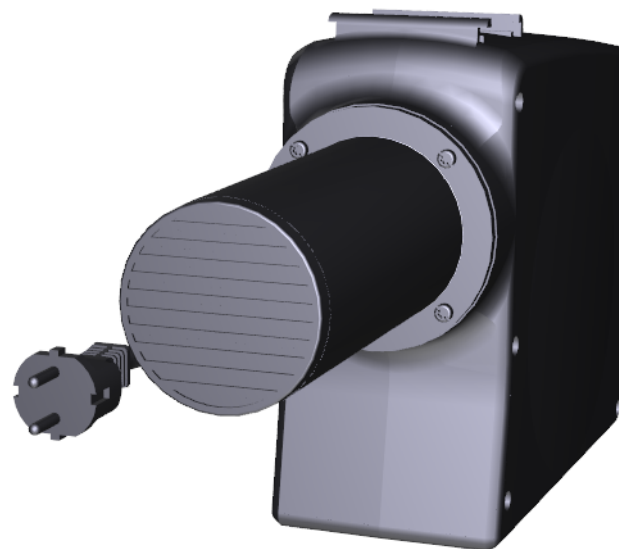
C


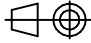
D

1

2

3



 PROCESS TECHNOLOGIES		HOTWIND SYSTEM		Sheet
				1
Format		Scale		of
A3		1:2		1
		<b>Note:</b> The information contained in this document is subject to change without notice. Änderungen vorbehalten.		Revision
				A

This document and the information it contains are property of LEISTER and as such they are to be considered reserved. Therefore, any reproduction in any form or by any means, without prior written permission of LEISTER is forbidden.